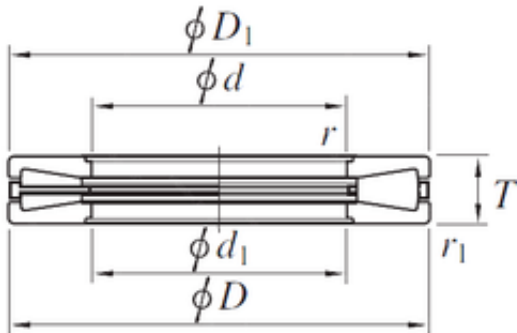




IPTCI Bearing Business LLC

T911 Thrust Ball Bearings



Bearing No. T911

Size	228.600x482.600x104.775 mm
Bore Diameter	228.600 mm
Outer Diameter	482.600 mm
Width	104.775 mm
d	228.600 mm
D	482.600 mm
T	104.775 mm
d1	228.600 mm
r1 min.	11.2 mm
D1	482.600 mm
Weight	107 Kg
Basic dynamic load rating (C)	3 390 kN

T911 Bearing 2D drawings and 3D CAD models